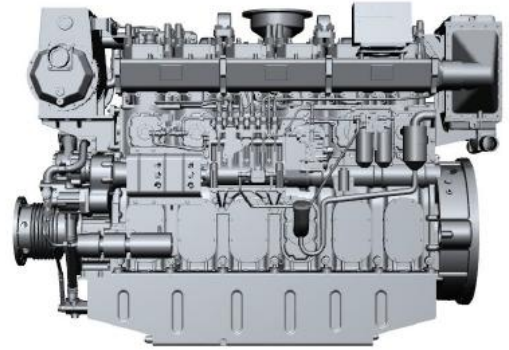


YC6C

Marine Diesel Engine



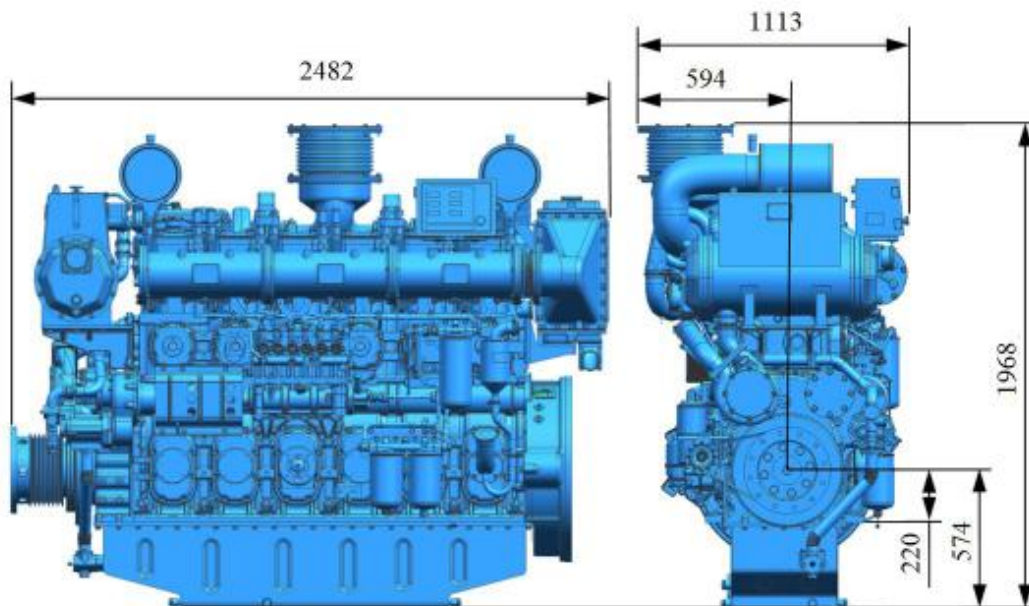
Basic Technical Parameters

Engine Model		YC6C
Application		Main Engine
Bore/Stroke	mm	200/210
Displacement	L	39,58
Number of Cylinders		6
Type		Mec. Controlled Pump, T/C, Water-cooled, Four-stroke
Compression Ratio		14,5: 1
Fuel System		Controlled Pump
Flywheel housing		SAE0
Flywheel		SAE18"
Overall dimensions	mm	2482×1113×1968
Net weight	kg	4700

Standard configuration

Cooling system	Thermostat, belt-driven copper impeller seawater pump, gear-driven centrifugal pump (high/low temperature cooling fresh water pump), seawater-freshwater heat exchanger, oil cooler, fresh water cooled, expansion tank, stainless steel water cap configuration, cupronickel cooling tube heat exchanger.
Lubrication system	Gear-driven oil pump, oil cooler, dual oil filter, oil filler port, dipstick, , oil strainer
Fuel System	Oil-water separator, dual fuel filter, manual fuel transfer pump.
Electrical System	DC24V
Others	Installation guide, maintenance manual, parts catalog, packaging box

Overall dimensions



Images shown may not reflect actual engines