

# YC6CL

## Marine Diesel Engine



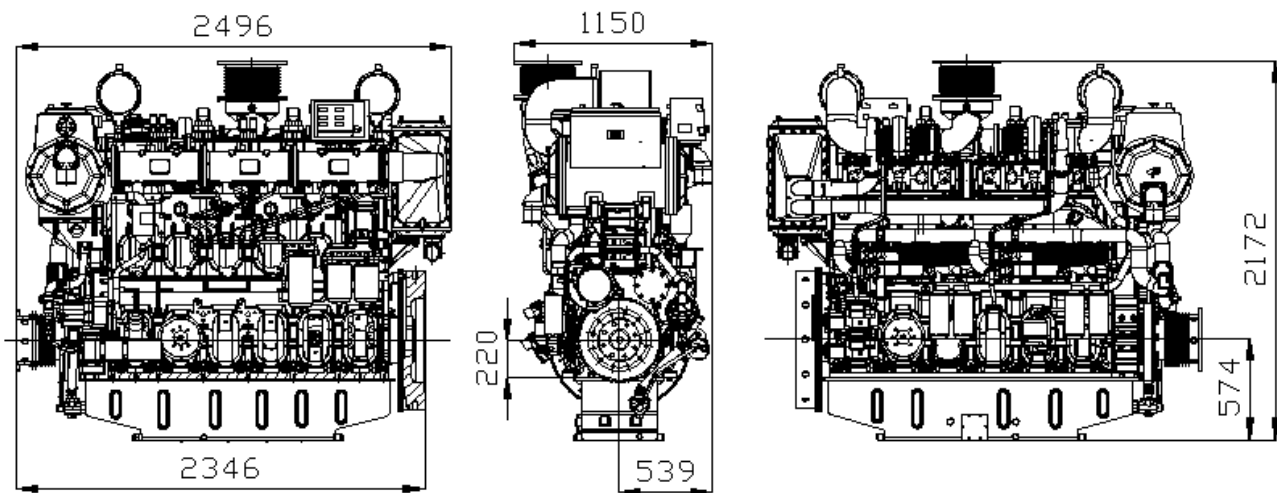
### Basic Technical Parameters

|                     |    |  |
|---------------------|----|--|
| <b>Engine Model</b> |    | YC6CL  |
| Application         |    | Main Engine  |
| Bore/Stroke         | mm | 200/290  |
| Displacement        | L  | 54,6   |
| Number of Cylinders |    | 6  |
| Type                |    | Mec. Controlled Pump, T/C, Water-cooled, Four-stroke |
| Compression Ratio   |    | 14,5: 1  |
| Fuel System         |    | Controlled Pump                                      |
| Flywheel housing    |    | -  |
| Flywheel            |    | SAE18"   |
| Overall dimensions  | mm | 2496×1150×2172                                       |
| Net weight          | kg | 5380   |

## Standard configuration

|                    |  |
|--------------------|--|
| Cooling system     | Thermostat, belt-driven copper impeller seawater pump, gear-driven centrifugal pump (high/low temperature cooling fresh water pump), seawater-freshwater heat exchanger, oil cooler, fresh water cooled, expansion tank, stainless steel water cap configuration, cupronickel cooling tube heat exchanger. |
| Lubrication system | Gear-driven oil pump, oil cooler, dual oil filter, oil filler port, dipstick, , oil strainer   |
| Fuel System        | Oil-water separator, dual fuel filter, manual fuel transfer pump.  |
| Electrical System  | DC24V  |
| Others             | Installation guide, maintenance manual, parts catalog, packaging box   |

## Overall dimensions



Images shown may not reflect actual engines