

# YC6T

## Marine Diesel Engine



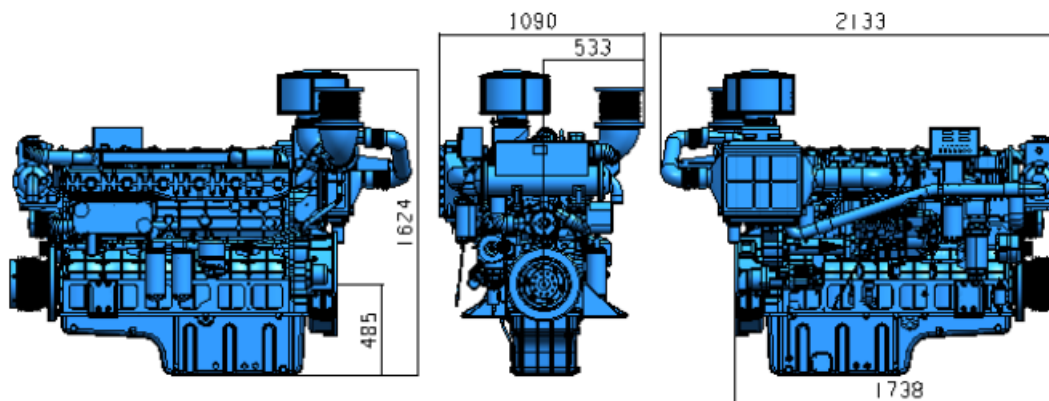
### Basic Technical Parameters

<b>Engine Model</b>		YC6T
Application		Main Engine
Bore/Stroke	mm	145/165
Displacement	L	16,35
Number of Cylinders		6
Type		Mec. Controlled Pump, T/C, Water-cooled, Four-stroke
Compression Ratio		15,5: 1
Fuel System		Controlled Pump
Flywheel housing		SAE1
Flywheel		SAE14"
Overall dimensions	mm	2133×1090×1624
Net weight	kg	1980

## Standard configuration

Cooling system	Thermostat, belt-driven copper impeller seawater pump, gear-driven centrifugal pump (high/low temperature cooling fresh water pump), seawater-freshwater heat exchanger, oil cooler, fresh water cooled, expansion tank, stainless steel water cap configuration, cupronickel cooling tube heat exchanger.
Lubrication system	Gear-driven oil pump, oil cooler, dual oil filter, oil filler port, dipstick, , oil strainer
Fuel System	Oil-water separator, dual fuel filter, manual fuel transfer pump.
Electrical System	DC24V
Others	Installation guide, maintenance manual, parts catalog, packaging box

## Overall dimensions



Images shown may not reflect actual engines